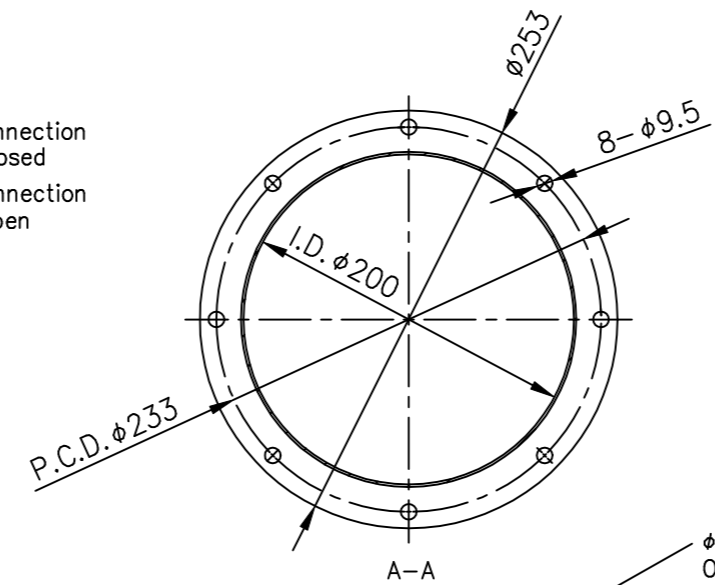
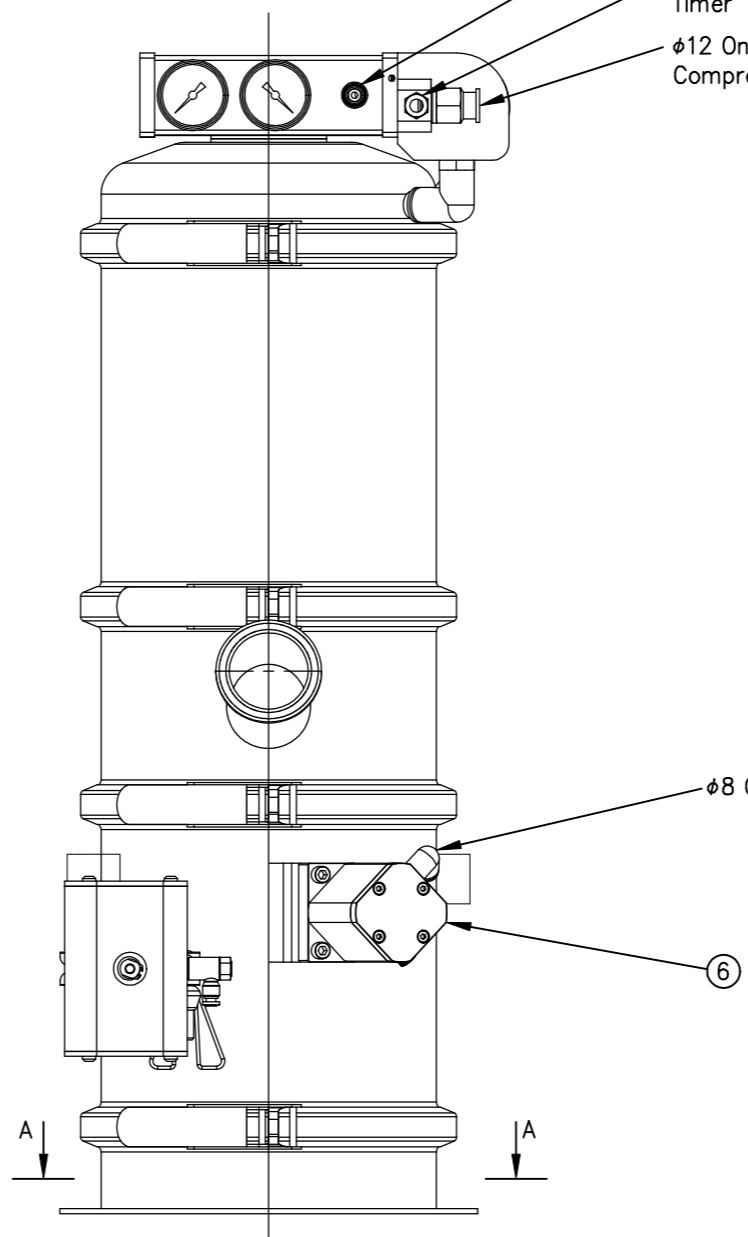
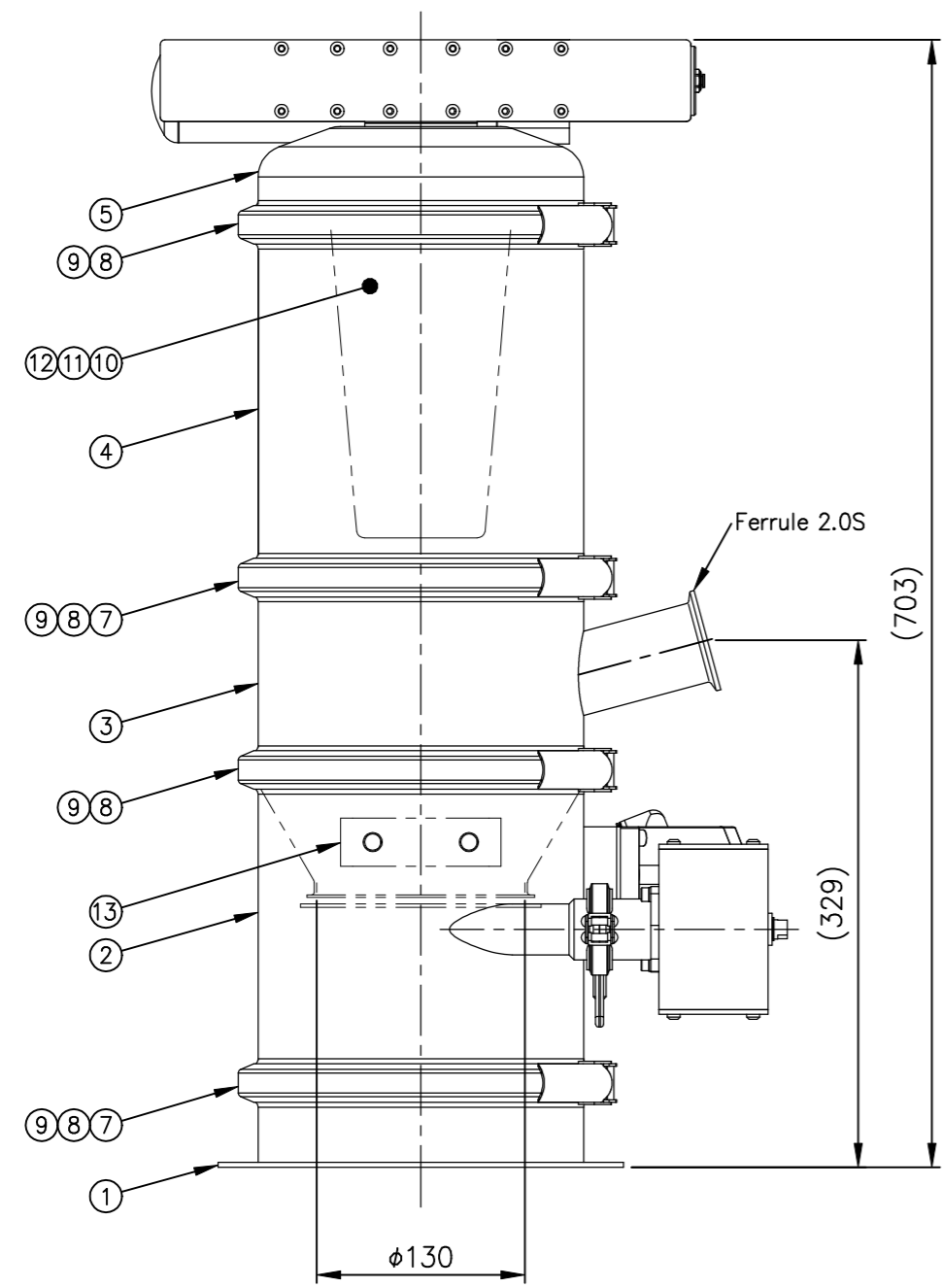


$\phi 4$ One-Touch Connection
 Discharge Valve Closed
 $\phi 4$ One-Touch Connection
 Discharge Valve Open



$\phi 4$ One-Touch Connection
 On-Signal
 $\phi 8$ One-Touch Connection OR BLIND PLUG
 Timer
 $\phi 12$ One-Touch Connection
 Compressed Air



No.	TITLE	Main Materials	QTY	REMARKS COLUMN
13	Mounting Brackets	SUS316L	<input type="checkbox"/> 0 <input type="checkbox"/> 1 <input type="checkbox"/> 2	Option (2xM10/P)
12	Sealing QX		1	<input type="checkbox"/> Silicone <input type="checkbox"/> EPDM <input type="checkbox"/> Nitrile
11	Filter QX200		1	<input type="checkbox"/> Ti07 0.14 OF <input type="checkbox"/> Ti07 0.28 C <input type="checkbox"/> PEHD
10	Filterplate VS200 1xQX	SUS316L	1	
9	Module Clamp Ring VS200	SUS304	4	
8	Sealing VS200		4	<input type="checkbox"/> Silicone <input type="checkbox"/> EPDM <input type="checkbox"/> Nitrile
7	Module Stacking Ring VS200	SUS316L	2	
6	Piston Vibrator	AL	1	
5	Pump Cover VS200 MX... GLA0.5	SUS316L AL	1	<input type="checkbox"/> MX360 <input type="checkbox"/> MX450 <input type="checkbox"/> MX540
4	Module VS200 SH220	SUS316L	1	
3	Suction Module VS200 R50Clamp SH120	SUS316L	1	
2	Discharge Module VS200 Zkex M	SUS316L	1	<input type="checkbox"/> Silicone <input type="checkbox"/> EPDM <input type="checkbox"/> Nitrile
1	Flange Module VS200 SH53	SUS316L	1	

<input type="checkbox"/> ORIGINAL <input checked="" type="checkbox"/> A3		TITLE VS200R-F200 Model	
<input type="checkbox"/> MARK <input type="checkbox"/> DATE <input type="checkbox"/> BY		DRAWING NO. VS20R50C-MXGL0.5-F2-PV-FM	
SCALE 1 : 5		REV 0	
DES. BY	DWG. BY	APP. BY	
	S.Nagano 22/09/09	S.Nagano 22/09/09	