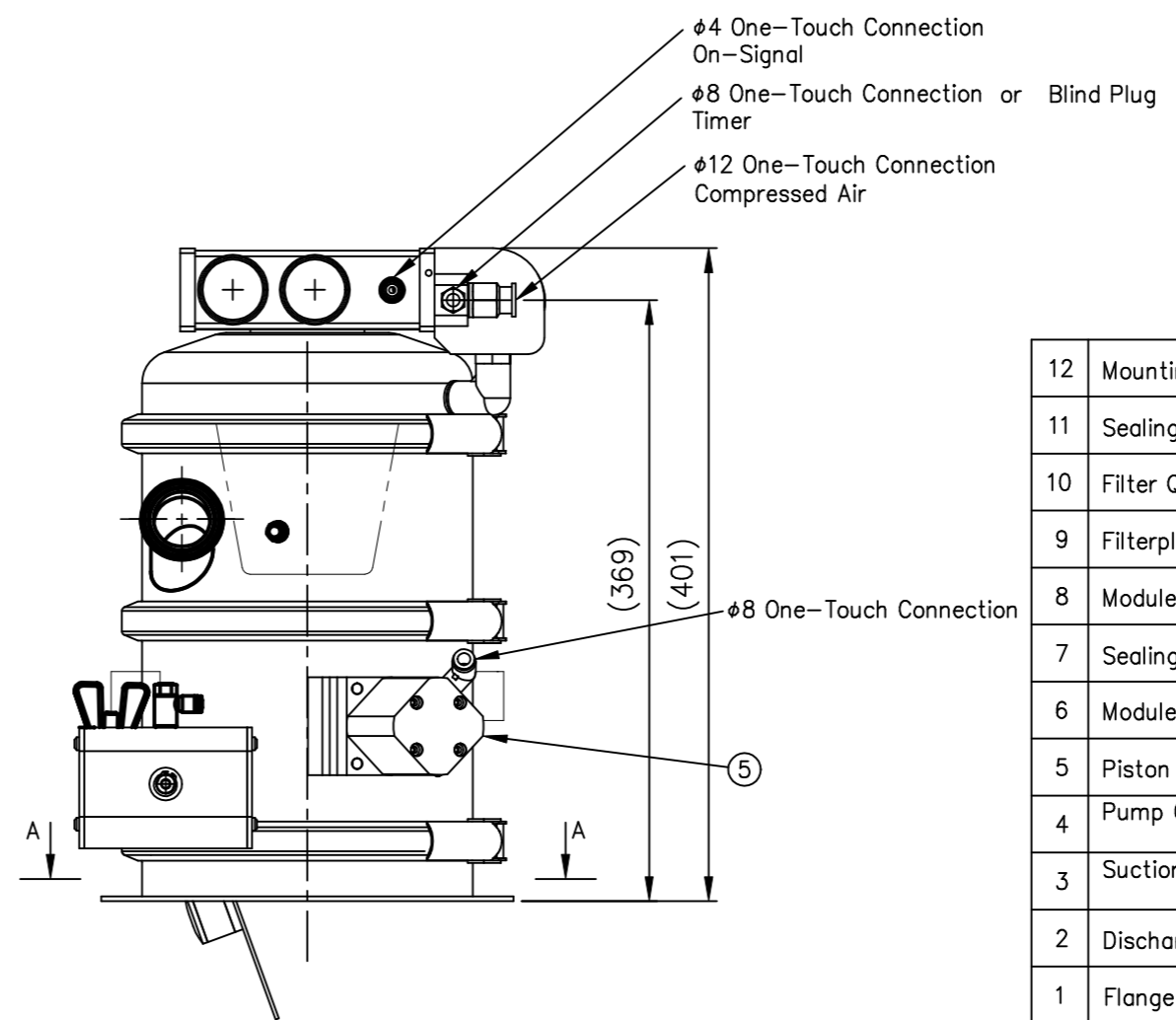
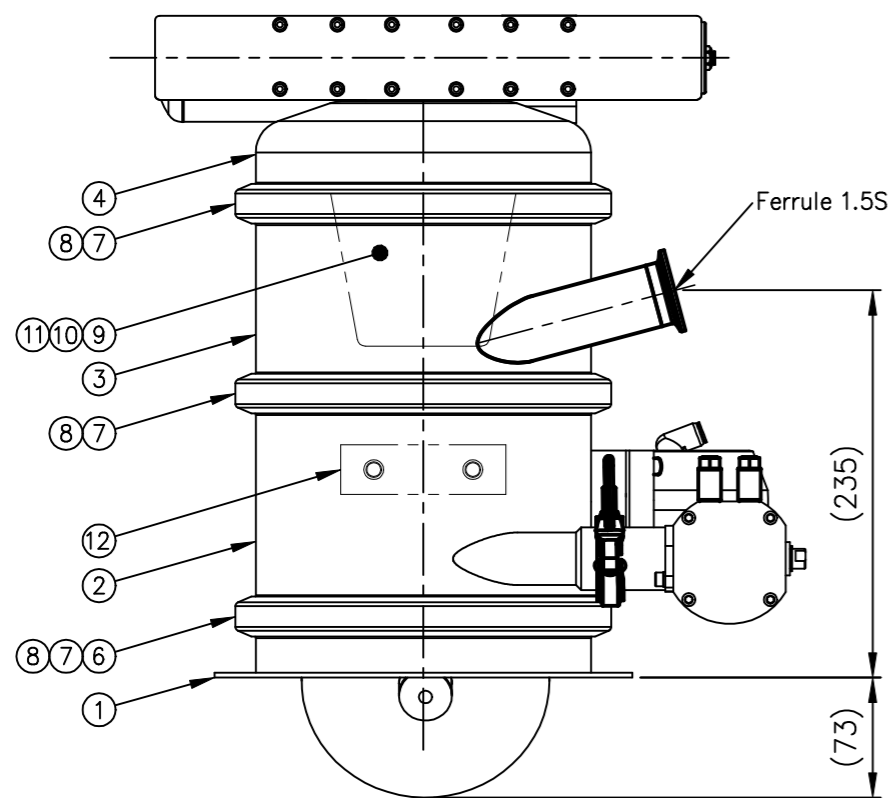
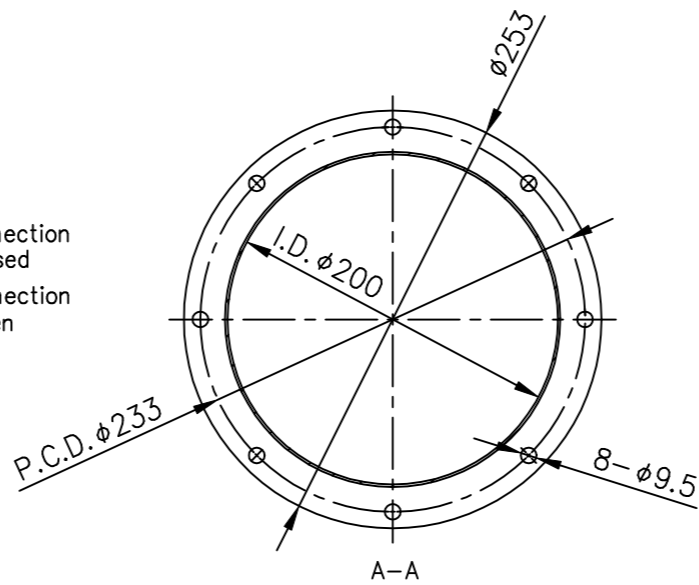


$\phi 4$ One-Touch Connection
 Discharge Valve Closed
 $\phi 4$ One-Touch Connection
 Discharge Valve Open



12	Mounting Brackets	SUS316L	<input type="checkbox"/> 0 <input type="checkbox"/> 1 <input type="checkbox"/> 2	Option (2xM10/P)
11	Sealing QX		1	<input type="checkbox"/> Silicone <input type="checkbox"/> EPDM <input type="checkbox"/> Nitrile
10	Filter QX100		1	<input type="checkbox"/> T107 0.07 OF <input type="checkbox"/> PEHD
9	Filterplate VS200 1xQX	SUS316L	1	
8	Module Clamp Ring VS200	SUS304	3	
7	Sealing VS200		3	<input type="checkbox"/> Silicone <input type="checkbox"/> EPDM <input type="checkbox"/> Nitrile
6	Module Stacking Ring VS200	SUS316L	1	
5	Piston Vibrator	AL	1	
4	Pump Cover VS200 MX... GLA0.5	SUS316L AL	1	<input type="checkbox"/> MX360 <input type="checkbox"/> MX450 <input type="checkbox"/> MX540
3	Suction Module VS200-F1 T38Clamp F100	SUS316L	1	
2	Discharge Module VS200-F1	SUS316L	1	<input type="checkbox"/> Silicone <input type="checkbox"/> EPDM <input type="checkbox"/> Nitrile
1	Flange Module VS200-F1	SUS316L	1	
No.	TITLE	Main Materials	QTY	REMARKS COLUMN

ORIGINAL A3			TITLE VS200F-F100 Model	
22/05/19 S.Nagano			SCALE 1 : 5	
MARK	DATE	BY	DRAWING NO. VS20F38C-MXGL0.5-F1-PV-FM	
DES. BY	DWG. BY	APP. BY	REV 1	
	S.Nagano 22/04/20	S.Nagano 22/04/20		